

Rotating equipment

J2410



6+



2

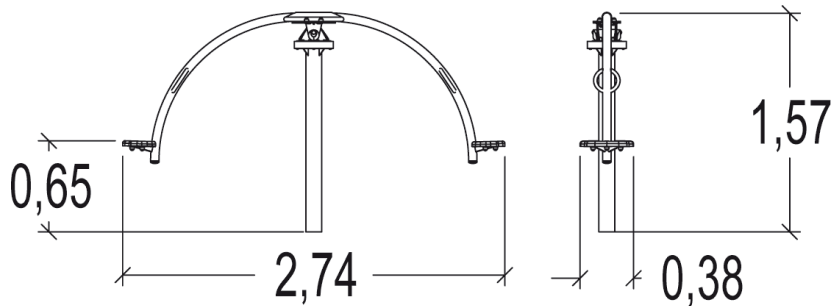


1,3m



1 = 2,73m 2 = 0,4m 3 = 1,57m

If installed onto wetpour safer surfacing, we recommend a NON-FINES CONCRETE BASE.



Play value

balancing



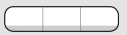
rotating



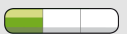
Accessibility



Motor disability



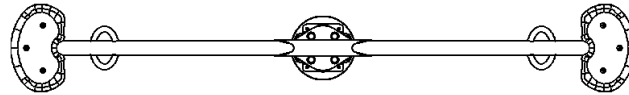
Sensorial Disabilities



Learning Disabilities



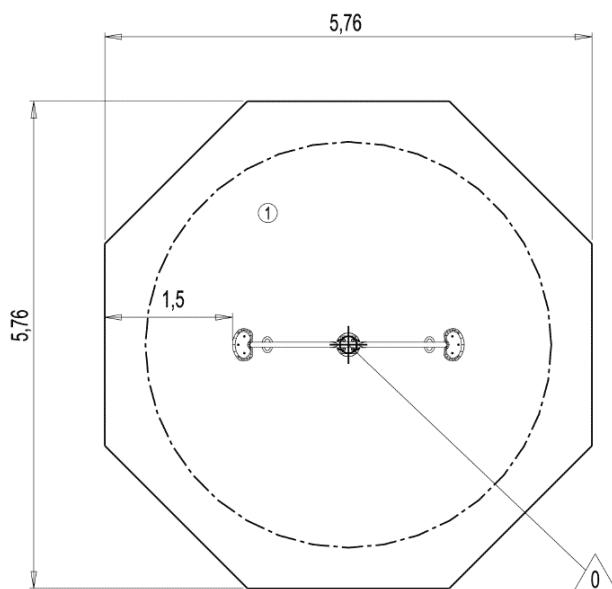
Proludic





Installation of equipment

Impact area = minimum safety surfacing required according to EN 1176-1

-  Impact area
-  Free space



Point de Référence
Setting Out Point
Punto de referencia
Bezugspunkt
Referentiepunt

		
1	1,30m	27,5m ²



2



03h00



0.3m³



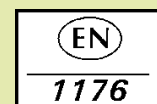
27.5m²



99kg



51kg



Proludic

2013-03-14