

Rotating equipment

J2591



6+



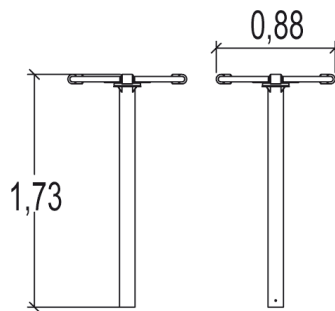
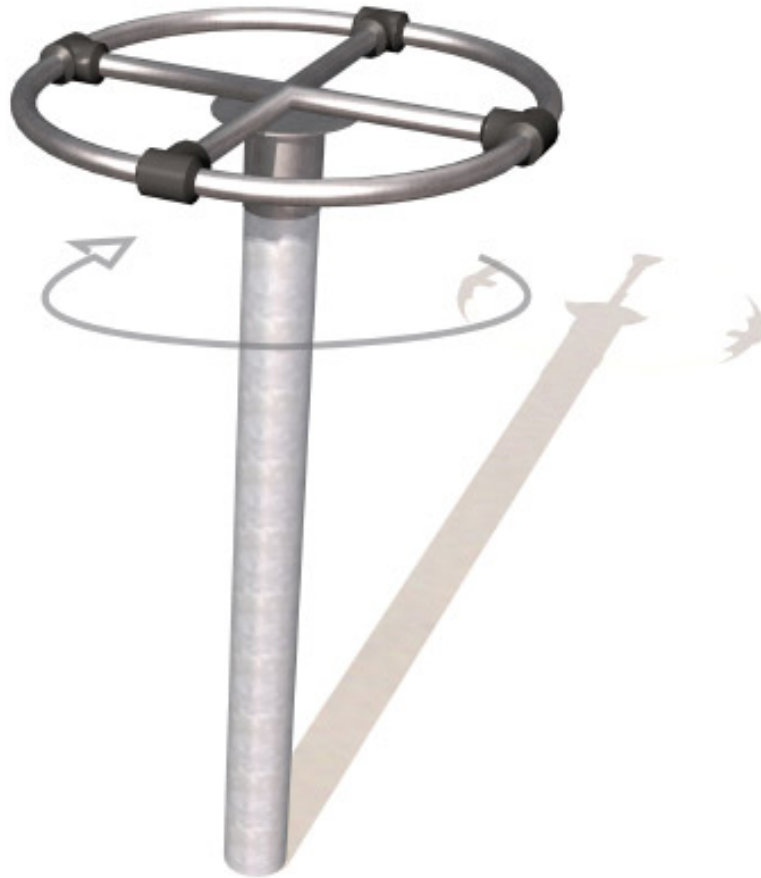
8



1,6m

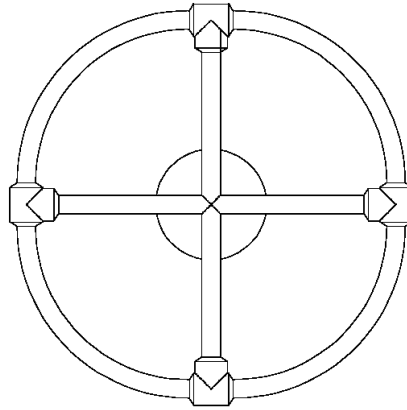


1 = 0,87m 2 = 0,87m 3 = 1,6m





Play value	
rotating	meeting / role play



Accessibility	
	Motor disability <input type="checkbox"/>
	Sensorial Disabilities <input checked="" type="checkbox"/>
	Learning Disabilites <input type="checkbox"/>

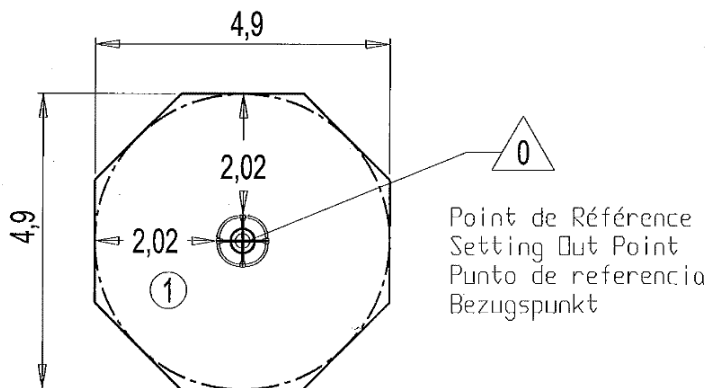


Installation of equipment

Impact area = minimum safety surfacing required according to EN 1176-1

-  Impact area
-  Free space

	
1	1,6m
	20m ²



2



02h15



0.3m³



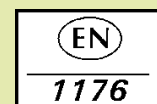
20m²



57kg



25kg



Proludic

2007-01-01