

Swings

J441



2+



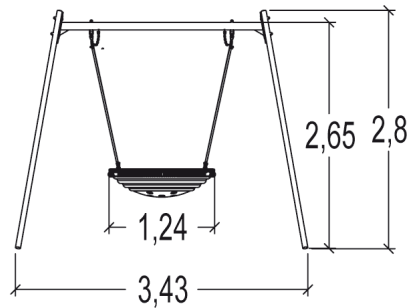
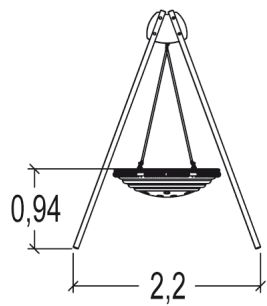
5



1,55m



1 = 3,43m 2 = 2,2m 3 = 2,6m



Play value

swinging



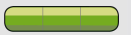
meeting / role play



Accessibility



Motor disability



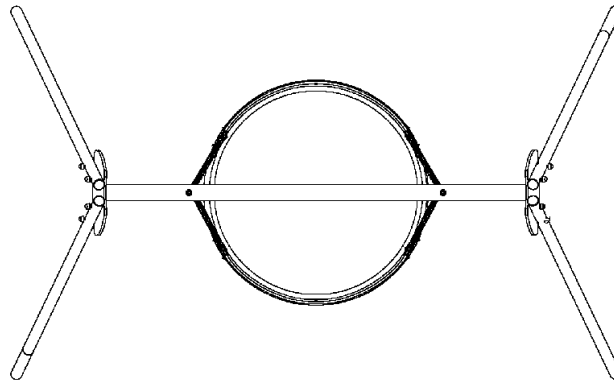
Sensorial Disabilities



Learning Disabilites





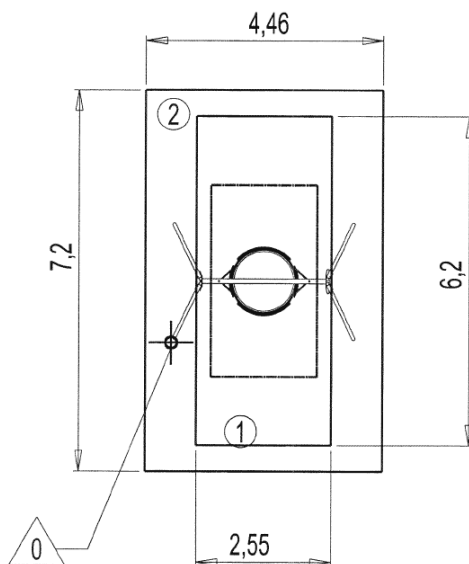
Proludic





Installation of equipment

Impact area = minimum safety surfacing required according to EN 1176-1

-  Impact area
-  Free space



Point de Référence
Setting Out Point
Punto de referencia
Bezugspunkt
Referentiepunt

		
1	1,55m	16m ²
2	1,55m	33m ²



2



08h00



0.26m³



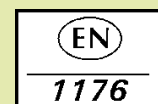
16m²



112kg



31kg



Proludic

2012-11-07