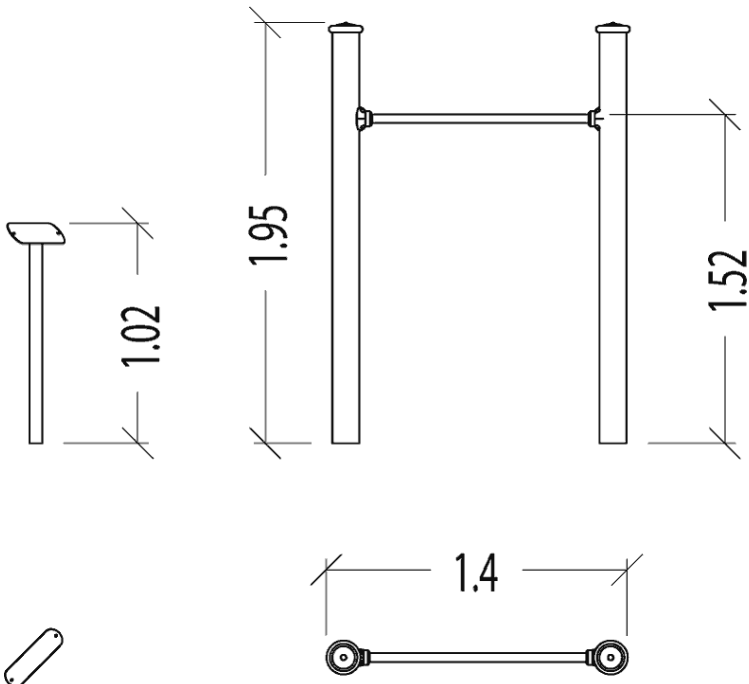




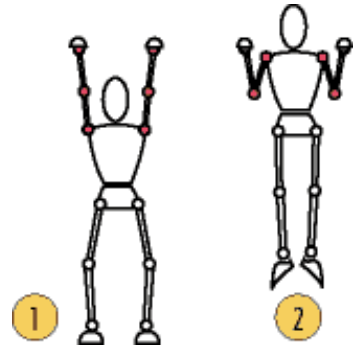
1=1.4m 2=0.15m 3=1.95m



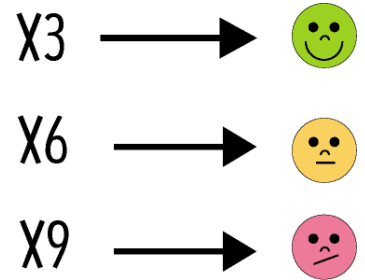
INTENSITY OF EFFORT



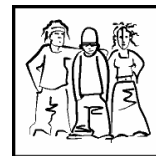
EXERCISES



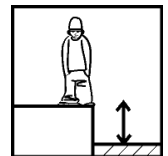
LEVELS OF EXERCISE



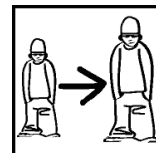
OTHER INFORMATION



1 player



HCL= 1.5m



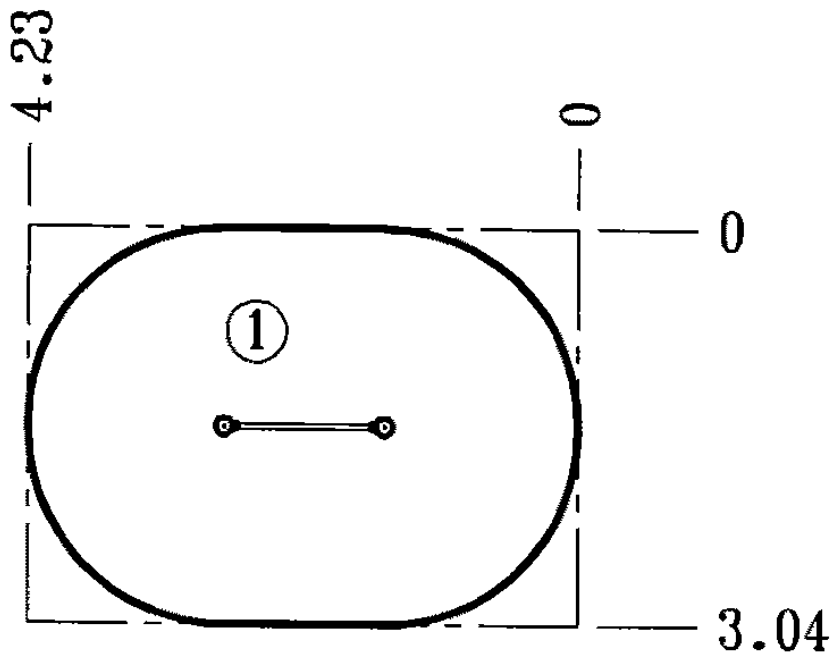
10+

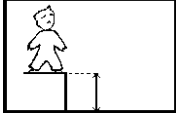
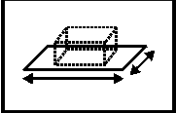
Installation of equipment

Impact area = minimum safety surfacing required according to EN 1176-1

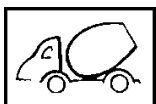
 Impact area

 Free space



		
①	1,50m	11m ²

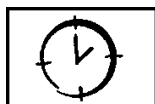
INSTALLATION



0.1m³

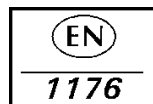


1



02h00

CERTIFICATIONS



Proludic
SPORT